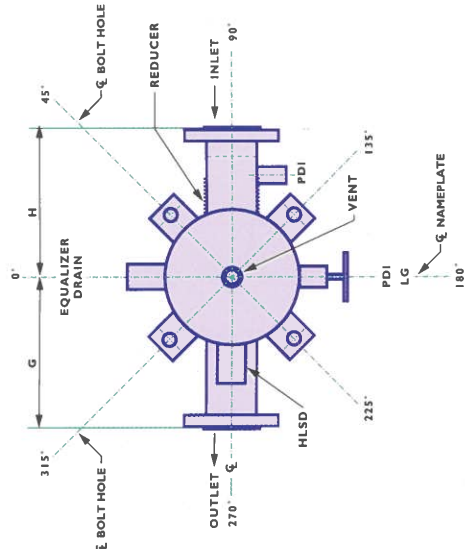
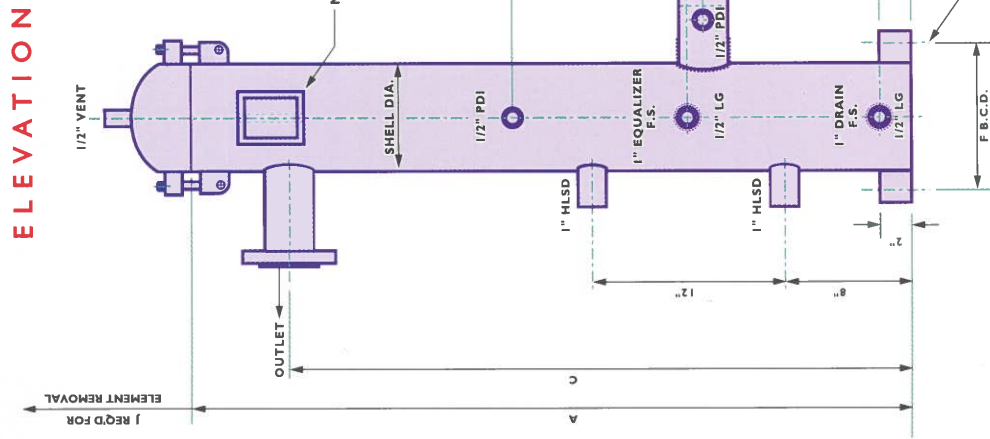




ISO 9001



TRUE ORIENTATION

Nominal Dimensions in Inches / (mm)

MODEL	SHELL DIA.	INLET OUTLET	A	B	C	E	F	G	H	J
89-1-312-6-275	6 5/8 (168) O.D.	2 (50)	45 (1143)	13 (330)	39 (991)	2 (50)	9 1/8 (232)	9 1/4 (235)	9 1/4 (235)	14 (356)
89-1-324-6-275	6 5/8 (168) O.D.	2 (50)	57 (1448)	13 (330)	51 (1295)	2 (50)	9 1/8 (232)	9 1/4 (235)	9 1/4 (235)	26 (660)
89-1-336-6-275	6 5/8 (168) O.D.	2 (50)	69 (1753)	13 (330)	63 (1600)	2 (50)	9 1/8 (232)	9 1/4 (235)	9 1/4 (235)	38 (965)
89-1-336-8-275	8 5/8 (219) O.D.	3 (76)	69 (1753)	13 (330)	63 (1600)	2 (50)	11 1/8 (283)	10 1/4 (260)	10 1/4 (260)	38 (965)

Vessels are designed and stamped in accordance with ASME pressure vessel code for 275 PSIG at 100° F without corrosion allowance.



e-mail: fs@pecousa.com
web site: www.pecousa.com

Corporate Offices & Plant

PERRY EQUIPMENT CORPORATION
Wolters Industrial Park
P.O. Box 640
Mineral Wells, Texas 76068
Telephone: 940-325-2575
800-877-PECO
940-325-4622
e-mail: fs@pecousa.com

European Offices

PERRY EQUIPMENT LTD.
Brunel Business Court
Brunel Way, Thetford
Norfolk IP24 1HP England
Telephone: 01842 821000
Telefax: 01842 821050
e-mail: sales@perry-equipment.co.uk
www.perry-equipment.co.uk

Perry Operation De Mexico

Parque Industrial Benito Juarez
Acceso III, 4-A
Queretaro, Queretaro, Mexico C.P. 76120
Telephone: 52-42-10-34-89
Telefax: 52-42-10-90-39
Parque Industrial Queretaro
Calle Cerrada La Noria #108
Santa Rosa Jaurequi
Queretaro, Mexico C.P. 76220

Perry Equipment Corporation

S.E. ASIA REGIONAL OFFICE
35-4 Jalan SP2/1
Taman Serdang Perdana, Seksyen 2,
43300 Seri Kembangan
Selangor D.E., Malaysia
Telephone: 603-8941-2366
Telefax: 603-8941-1366
e-mail: pecosea@po.jaring.my

Houston Branch Office

1758 West Sam Houston Parkway N.
Houston, Texas 77043-3115
Telephone: 713-973-2575
Telefax: 713-467-0475
e-mail: [hou@pecousa.com](mailto:houston@pecousa.com)

Perry Equipment Italiana S.R.L.

via Camozzi, 106
24121 Bergamo (BG) Italy
Telephone: 3903-523-6340
Telefax: 3903-523-6380
e-mail: peco.italy@tin.it

Peco Filters, Ltd.

135 I Hastings Crescent S.E.
Calgary, Alberta
Canada T2G-4C8
Telephone: 403-243-6700
Telefax: 403-287-9304
e-mail: 103727,3572@compuserve.com

Coalescing
Efficiency at
Economic
Prices
Utilizing
PEACH® Gas
Coalescing
Filter
Elements

