

T-710 GLYCOL CONTACTOR
 609mm O.D. X 8534mm S/S
 9929 kPa @ -20/100°C, 1.6mm C.A.
 8 TRAYS @ 610mm SPACING

E-310 GAS/GLYCOL EXCHANGER
 89mm O.D. X 114mm O.D. X 3048mm E/E
 TS: 9929 kPa @ -20/100°C, 0mm C.A.
 SS: 9929 kPa @ -20/100°C, 0mm C.A.

P-510A GLYCOL PUMP
 KIMRAY MODEL 9015 PV
 PUMP RATE: MIN.: 103 L/HR ONE (1) 25 MICRON ELEMENT
 MAX.: 342 L/HR
 10343 kPa MAWP

F-610 GLYCOL FILTER
 CUNO MODEL 1B2

F-620 CHARCOAL FILTER
 CUNO MODEL 1B2

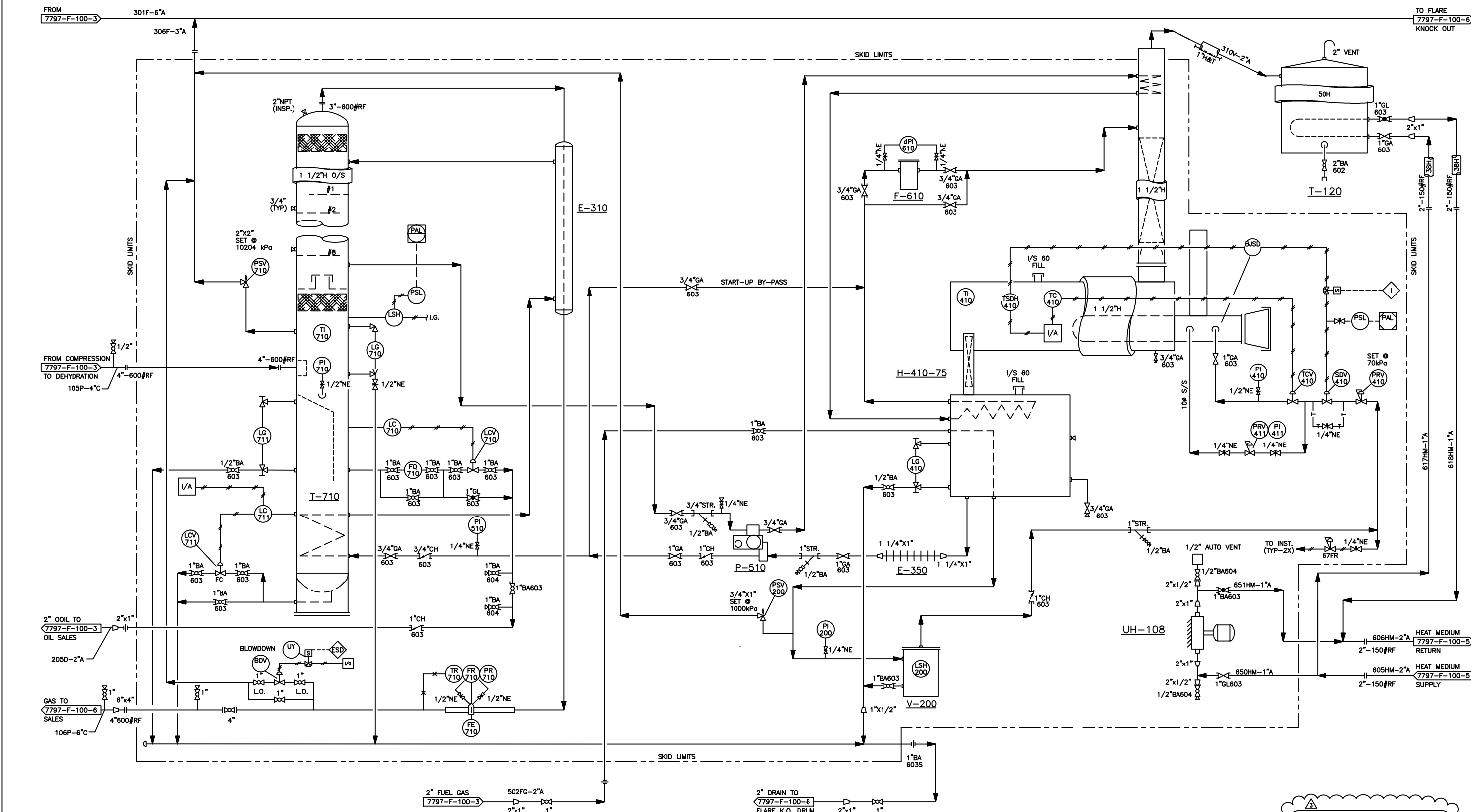
V-200 FUEL GAS SCRUBBER
 219mm O.D. X 762mm LG
 1034 kPa @ -20/66°C.

H-410-75 GLYCOL REGENERATOR
 375000 BTU
 762mm O.D. X 2438mm LG REBOILER
 610mm O.D. X 1981mm LG SURGE

UH-101 BUILDING HEATER
 RUFFNECK HP3-16
 (1 REQUIRED)

E-350 AIR/GLYCOL EXCHANGER
 32mm O.D. X 3048mm TRANE FIN TUBE

T-120 STILL VENT TANK
 CAP: 50BBL



REFERENCE DRAWINGS	DRAWING No.	DATE	REV. NO.	REVISION	BY	DATE	CHKD.	DATE	BY	DATE
			3	ADDED CPC DRAWING NUMBER	DAK	08.08.26				
				ISSUED FOR BIDS	DAK	98.01.27			DAK	98.01.27
				ISSUED FOR CONSTRUCTION	DAK	98.03.24				
				REVISED AS BUILT	DAK	98.08.24				

		APE NO. 637797 SCALE NTS DWG NO. 7797-F-100 SH NO. 4
CANADIAN HUNTER CAROLINE 15-34 CENTRAL BATTERY MECHANICAL FLOWSHEET DEHYDRATION PACKAGE		