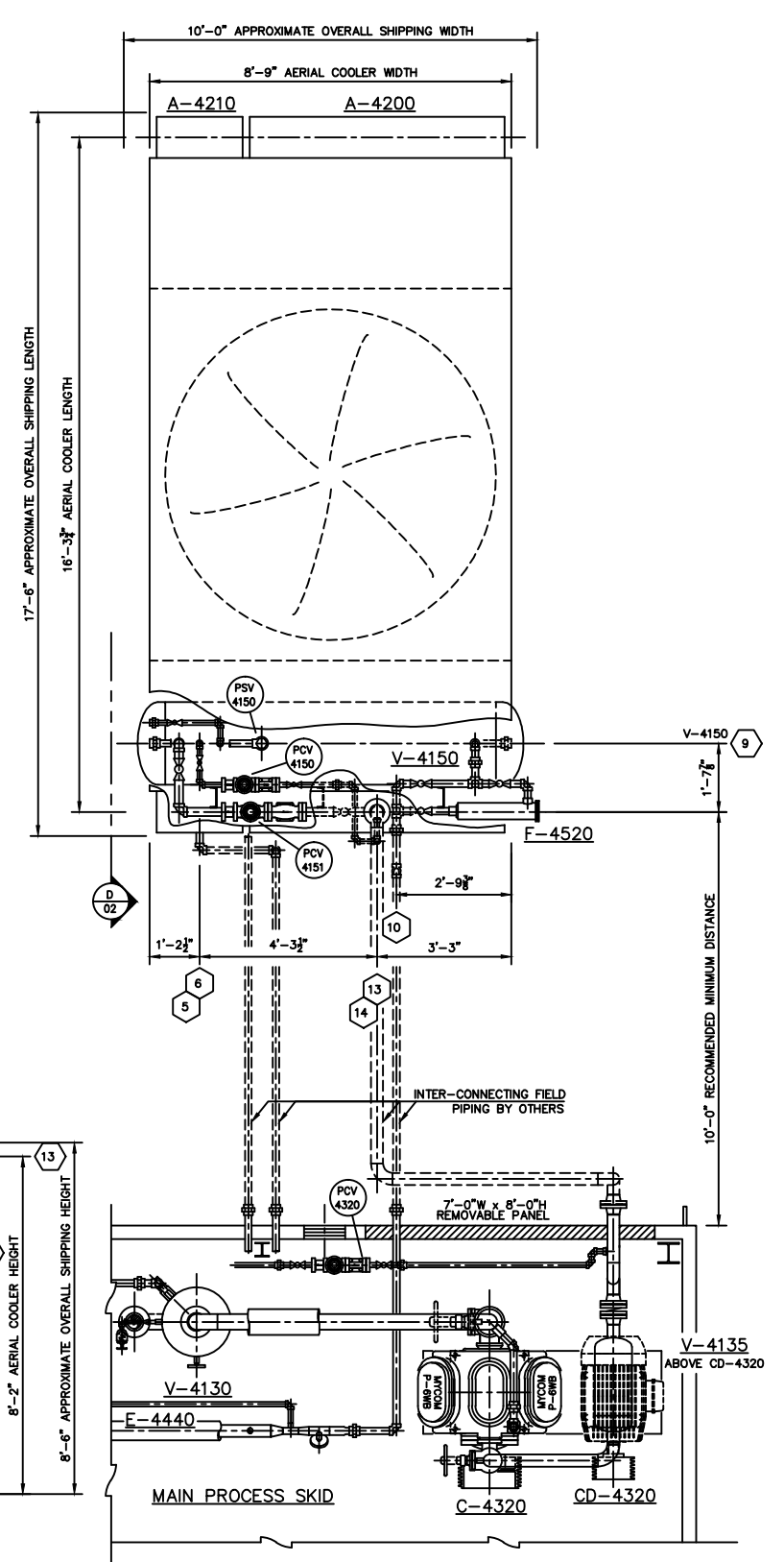
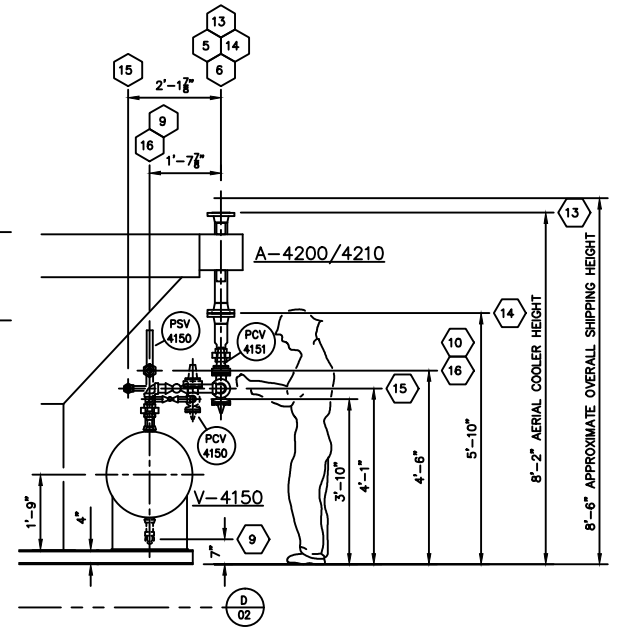
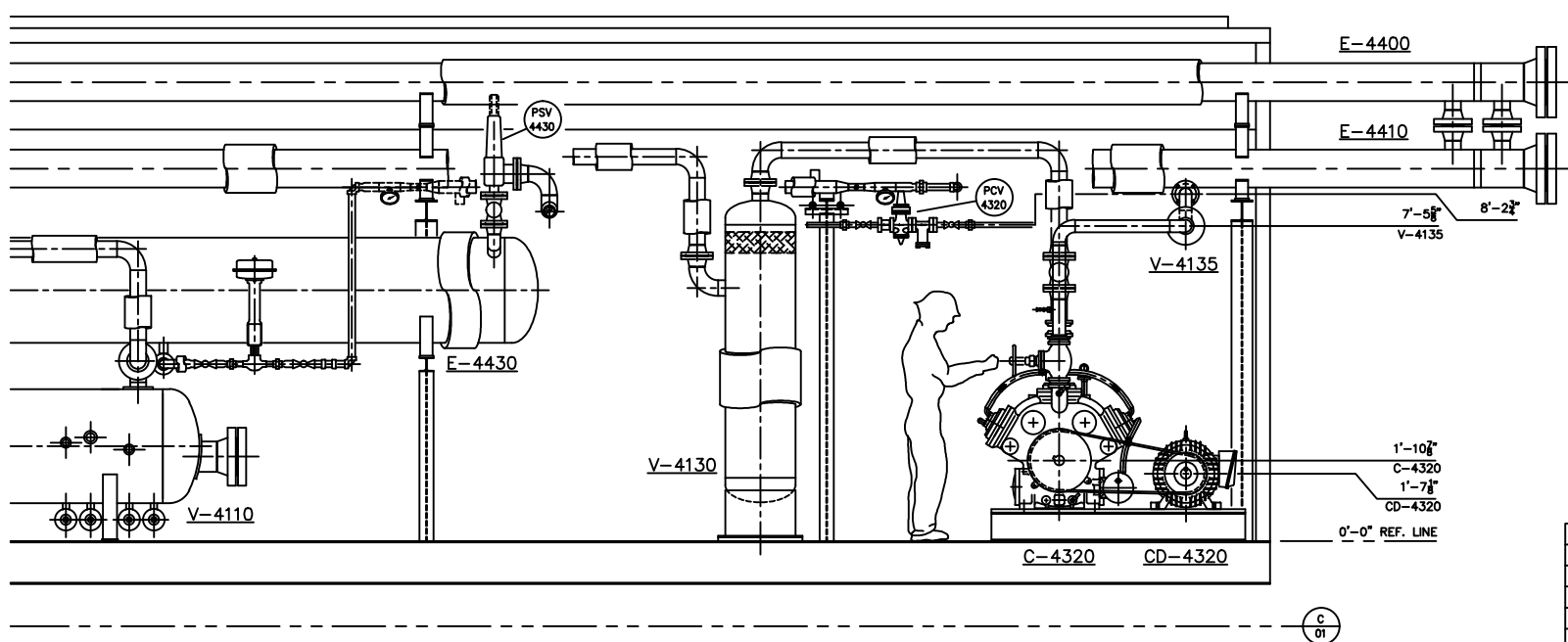
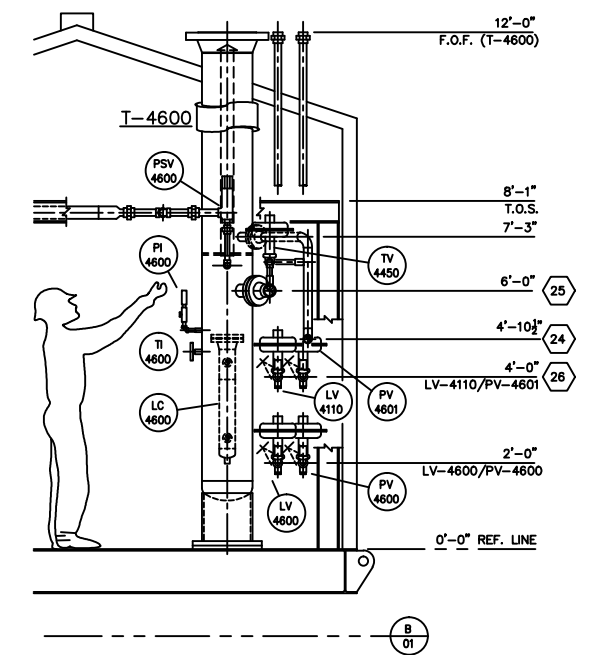
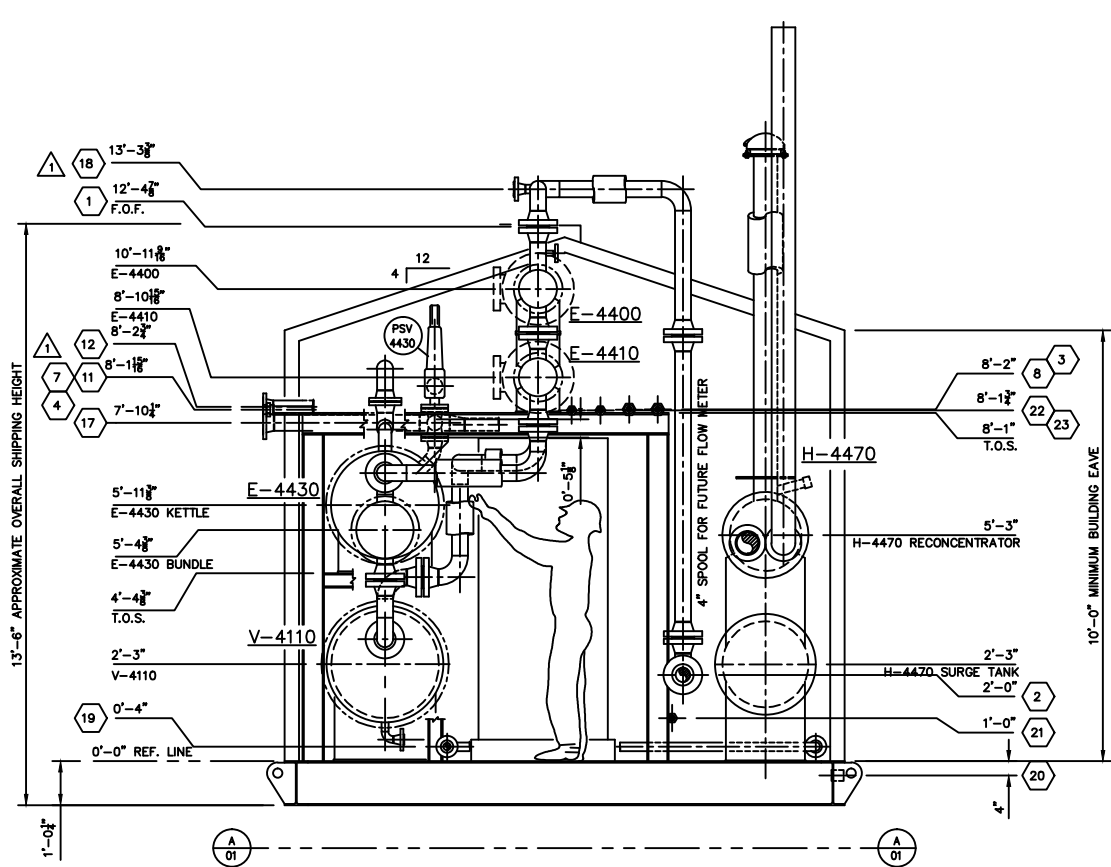


D-2003-7134-50A-002[70377].dwg. USER: SKV. DATE: 11/16/2021 - 4:07 P.



DRAWN		WTF		DATE		2002-05-01		SCALE		[1/2]"=1'-0"		CHKD		KEW	
<p>ALCO GAS & OIL PRODUCTION EQUIPMENT LTD.</p> <p>The information contained herein is the confidential property of Alco Gas and Oil Production Equipment Ltd. and is not for publication. The information is based on the understanding that no part thereof shall be copied or communicated to a third party without authorization in writing from Alco Gas and Oil Production Equipment Ltd.</p>															
<p>SECTIONS AND COOLER LAYOUT DEWPOINT CONTROL PLANT</p>															
<p>LOCATION: CARBON GAS PLANT</p>															
<p>CUSTOMER: ATCO GAS</p>															
<p>DWG./SHOP ORDER: D-2003-7134-50A-002/002</p>															
<p>REV. 1</p>															
D-2003-7134-50F		MECHANICAL FLOWSHEET		REV. DATE		REV. BY		DESCRIPTION		REV. DATE		REV. BY		DESCRIPTION	
1		2003		T-27		JSB		CHGD ELEV. OF THE IN CONN. 4,7,11,12 AND 18		0		2003		KRT JM	
0		2003		11-14		KRT		ISSUED FOR CONSTRUCTION		A		2003		KRT	
A		2003		11-11		KRT		ISSUED FOR CUSTOMER APPROVAL		D		2003		KRT	
D		2003		11-11		KRT		ISSUED FOR CUSTOMER APPROVAL		D		2003		KRT	
D		2003		11-11		KRT		ISSUED FOR CUSTOMER APPROVAL		D		2003		KRT	
D		2003		11-11		KRT		ISSUED FOR CUSTOMER APPROVAL		D		2003		KRT	