

E-4440
PROPANE/CONDENSATE EXCHANGER
 1[1/2] O.D. x 3[1/2] O.D. x 10'-0" LG.
 FINNED DOUBLE PIPE
 T.S.: 250 PSIG D.P. @ [-20\150F] + 0" C.A.
 S.S.: 1415 PSIG D.P. @ [-20\150F] + [1\16] C.A.
 18,260 [BTU/HR] DESIGN DUTY

T-4600
STABILIZER TOWER
 14" O.D. x 44'-0" [S\S]
 400 PSIG D.P. @ [-20\400F] + [1\16] C.A.
 (2) - 15'-0" PACKED SECTIONS

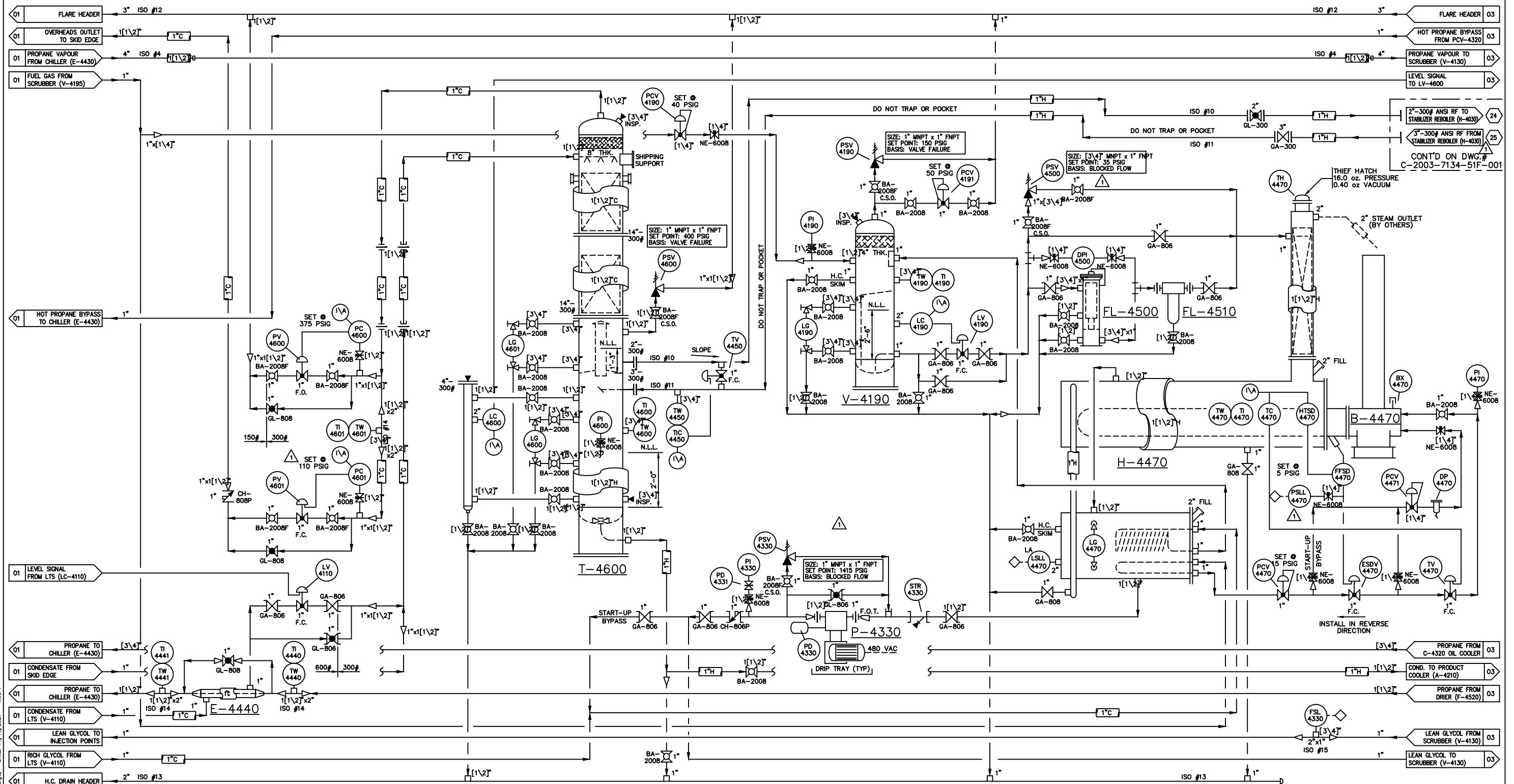
P-4330
GLYCOL INJECTION PUMP
 FMC M0406 TRIPLEX
 0.72 USGPM @ 1415 PSIG DISCHARGE
 2 H.P. 480/3/60 X.P. MOTOR

V-4190
GLYCOL FLASH SEPARATOR
 12[3/4] O.D. x 5'-0" [S\S]
 150 PSIG D.P. @ [-20\200F] + [1\16] C.A.
 2-PHASE

FL-4500
GLYCOL PARTICULATE FILTER
 PECO MODEL # 55-1-336-8-275-3/4
 275 PSIG D.P. @ [-20\220F] + 0" C.A.
 10 MICRON NOMINAL
 [W] (1) PECO # PP-336-20-W/S ELEMENT

FL-4510
GLYCOL CHARCOAL FILTER
 CUNO 1B2
 250 PSIG D.P. @ 250F
 CHARCOAL ELEMENT

H-4470/B-4470
GLYCOL RECONCENTRATOR [W] BURNER
 20" O.D. x 6'-0" LG. REBOILER
 24" O.D. x 4'-7" LG. SURGE TANK
 8[5/8] O.D. x 7'-6" LG. STILL COLUMN
 6[5/8] O.D. x 12'-0" HIGH STACK
 175,000 [BTU/HR] FLAME ARRESTOR
 ATMOSPHERIC DESIGN PRESSURE



VALVE TAGGING
GA-818
 VALVE TYPE: [Symbol] END CONNECTION TRIM PRESSURE RATING
 VALVE TYPES: BA = BALL, GA = GATE, GL = GLOBE, CH = CHECK, NE = NEEDLE, SB = GAUGE (BLOCK [W] BLEED), BV = BUTTERFLY, SV = SPECIALTY
 PRESSURE RATINGS: 1 = 150# ANSI, 3 = 300# ANSI, 6 = 600# ANSI, 8 = 800# ANSI, 9 = 900# ANSI, 15 = 1500# ANSI/1500# API, 20 = 2000 WOG, 25 = 2500# ANSI/2500# API, 30 = 3000 WOG, 40 = 4000 WOG, 60 = 6000 WOG
 [WOG PRESSURE RATINGS ONLY APPLY TO THREADED/SOCKET - WELDED BALL VALVES AND NEEDLE VALVES.]
 TRIM: 0 = STANDARD, 1 = SOUR, 2 = SOUR LOW TEMPERATURE, 3 = LOW TEMPERATURE, 4 = HIGH TEMPERATURE
 END CONN.: 0 = RF, 1 = RTJ, 6 = SW, 7 = NPT x SW, 8 = NPT, 9 = MNPT x FNPT
 SUFFIX: F = FULL PORT, S = SWING CHECK, P = PISTON CHECK, W = WAFER CHECK

NOTES:
 1. * ITEMS SUPPLIED BY EQUIPMENT VENDOR.
 2. ** ITEMS SUPPLIED BY CUSTOMER & INSTALLED BY ALCO.
 3. *** DENOTES TURBINE METERS REQUIRING A MIN. STRAIGHT PIPE LENGTH OF 10# UPSTREAM & 5# DOWNSTREAM.

GENERAL LEGEND:
 1. [Symbol] DENOTES PNEUMATIC TIE-IN.
 2. [Symbol] DENOTES PNEUMATIC COMPRESSOR PANEL TIE-IN.
 3. [Symbol] DENOTES CAPILLARY TIE-IN.
 4. [Symbol] DENOTES ELECTRICAL TIE-IN (BY OTHERS).
 5. [Symbol] DENOTES ELECTRICAL JUNCTION BOX TIE-IN.
 6. [Symbol] DENOTES LOCAL PLC TIE-IN (BY OTHERS).
 7. [Symbol] DENOTES LOCAL ELECTRICAL PANEL TIE-IN.
 8. [Symbol] DENOTES FIELD MOUNTED INSTRUMENT.
 9. [Symbol] DENOTES LOCAL PANEL INSTRUMENT.
 10. [Symbol] DENOTES LOCAL PANEL INSTRUMENT (MOUNTED INSIDE PANEL).

DWG.	DESCRIPTION	REV.	DATE	REV.	DATE	DESCRIPTION
1	2003-11-23	JSB				REVISED AS MARKED
0	2003-11-14	KRT				ISSUED FOR CONSTRUCTION
A	2003-11-21	KRT				ISSUED FOR CUSTOMER APPROVAL

ALCO GAS & OIL PRODUCTION EQUIPMENT LTD.
 MECHANICAL FLOWSHEET REFRIGERATION PACKAGE
 LOCATION: CARBON GAS PLANT
 CUSTOMER: ATCO GAS
 DWG/SHOP ORDER: D-2003-7134-50F-002/004 REV. 1

D-2003-7134-50F-002/002/0071.dwg, USER: Sshw, DATE: 11/16/2021, 4:08 P