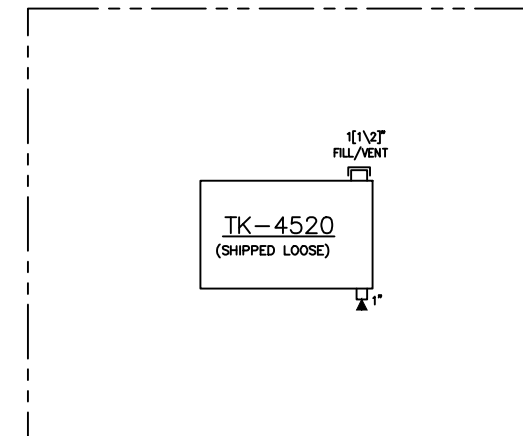
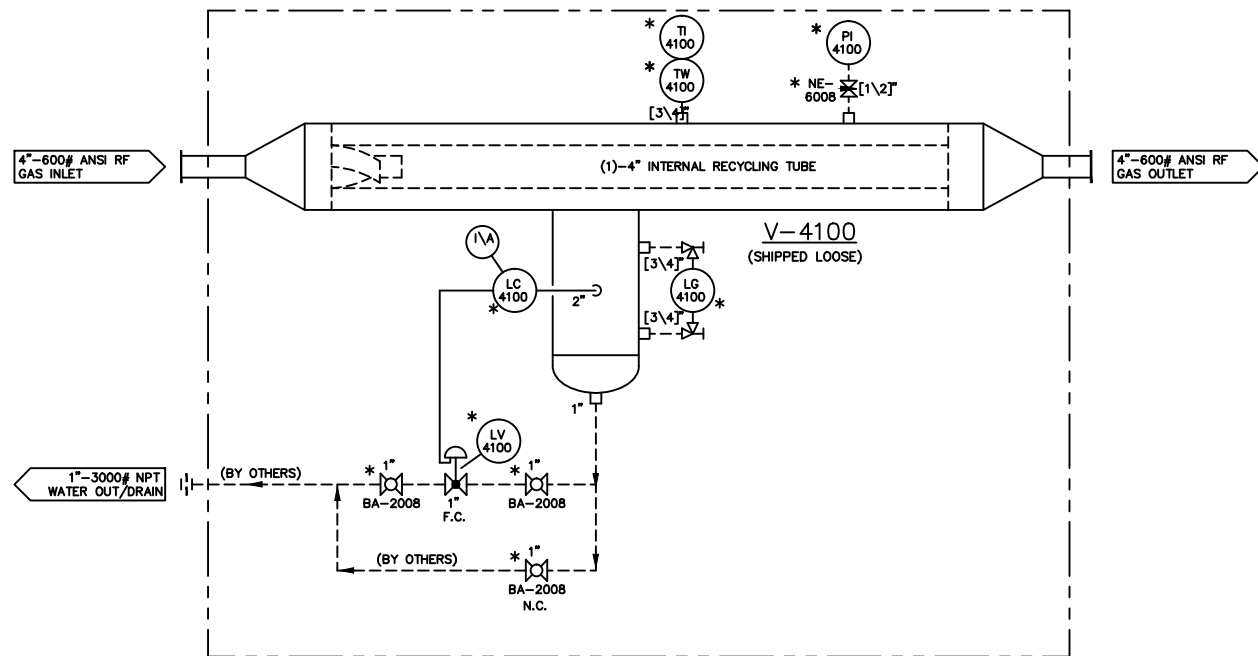


V-4100  
HORIZONTAL RECYCLING SEPARATOR

8 5/8" O.D. x 6'-6" F/F  
1415 PSIG D.P. @ -20/150F + (1 1/16)" C.A.  
[W] INTERNAL RECYCLING TUBE  
(SHIPPED LOOSE)

TK-4520  
GLYCOL STORAGE TANK

50" DIA x 73" LG., ONE COMPARTMENT  
500 US GALLON CAPACITY  
ATMOSPHERIC DESIGN  
[C,W] SADDLES  
(SHIPPED LOOSE)



VALVE TAGGING

GA-818  
VALVE TYPE: [Symbol]  
SUFFIX: [Symbol]  
END CONNECTION: [Symbol]  
TRIM: [Symbol]  
PRESSURE RATING: [Symbol]

VALVE TYPES: BA = BALL  
GA = GATE  
CL = CLOSE  
CH = CHECK  
NE = NEEDLE  
SB = GAUGE (BLOCK [W] BLEED)  
BV = BUTTERFLY  
SV = SPECIALTY

PRESSURE RATINGS: 1 = 150# ANSI  
3 = 300# ANSI  
6 = 600# ANSI  
8 = 800# API  
9 = 900# ANSI  
15 = 1500# ANSI/1500# API  
20 = 2000 WOG(1)  
25 = 2500# ANSI/2500# API  
30 = 3000 WOG(1)  
40 = 4000 WOG(1)  
60 = 6000 WOG(1)

END CONN.: 0 = RF  
1 = RTJ  
6 = SW  
7 = NPT x SW  
8 = NPT  
9 = MNPT x FNPT

SUFFIX: F = FULL PORT  
S = SWING CHECK  
P = PISTON CHECK  
W = WAFER CHECK

[WOG PRESSURE RATINGS ONLY APPLY TO THREADED/SOCKET - WELDED BALL VALVES AND NEEDLE VALVES.]

NOTES:

1. \* ITEMS SUPPLIED BY ALCO & INSTALLED BY CUSTOMER.
2. \*\* ITEMS SUPPLIED BY CUSTOMER & INSTALLED BY ALCO.
3. \*\*\* DENOTES TURBINE METERS REQUIRING A MIN. STRAIGHT PIPE LENGTH OF 10# UPSTREAM & 5# DOWNSTREAM.

GENERAL LEGEND:

1. --- DENOTES PNEUMATIC TIE-IN.
2. [Symbol] DENOTES PNEUMATIC COMPRESSOR PANEL TIE-IN.
3. --- DENOTES CAPILLARY TIE-IN.
4. --- DENOTES ELECTRICAL TIE-IN (BY OTHERS).
5. [Symbol] DENOTES ELECTRICAL JUNCTION BOX TIE-IN.
6. [Symbol] DENOTES LOCAL PLC TIE-IN (BY OTHERS).
7. [Symbol] DENOTES LOCAL ELECTRICAL PANEL TIE-IN.
8. [Symbol] DENOTES FIELD MOUNTED INSTRUMENT.
9. [Symbol] DENOTES LOCAL PANEL INSTRUMENT.
10. [Symbol] DENOTES LOCAL PANEL INSTRUMENT. (MOUNTED INSIDE PANEL)

DWG.	DESCRIPTION	REV.	DATE	BY	DESCRIPTION
D-2003-7134-50A	LAYOUT/ASSEMBLY	A	2003-11-11	KRT	ISSUED FOR CUSTOMER APPROVAL
		1	2003-11-23	JSB	CHANGED TANK SERVICE FROM METHANOL TO GLYCOL
		0	2003-11-14	KRT JM	ISSUED FOR CONSTRUCTION

DRAWN	FEH
DATE	2003-09-19
SCALE	NTS
CHK'D	KEW

**ALCO** GAS & OIL PRODUCTION EQUIPMENT LTD.

The information contained herein is the confidential property of Alco Gas and Oil Production Equipment Ltd. and is not for publication. The information is based on the understanding that no part thereof shall be copied or communicated to a third party without authorization in writing from Alco Gas and Oil Production Equipment Ltd.

MECHANICAL FLOWSHEET  
REFRIGERATION PACKAGE

LOCATION: CARBON GAS PLANT  
CUSTOMER: ATCO GAS  
DWG/SHOP ORDER: D-2003-7134-50F-004/004 REV. 1