

**TK-203/204**  
METHANOL/CORROSION INHIBITOR TANKS

**P-200A/B**  
METHANOL/CORROSION INHIBITOR PUMPS

**V-0201**  
3 PHASE VERT. SEPARATOR

**EF-0201/0202**  
EXHAUST FANS

**V-200**  
FUEL GAS SCRUBBER

**H-200**  
BUILDING HEATER

MAKE: NORTCO  
1000 GALLON PLASTIC TANK  
c/w VENT CAP, GROUND  
c/w PLASTIC SECONDARY CONTAINMENT  
MOUNTED SEPARATE FROM SKID

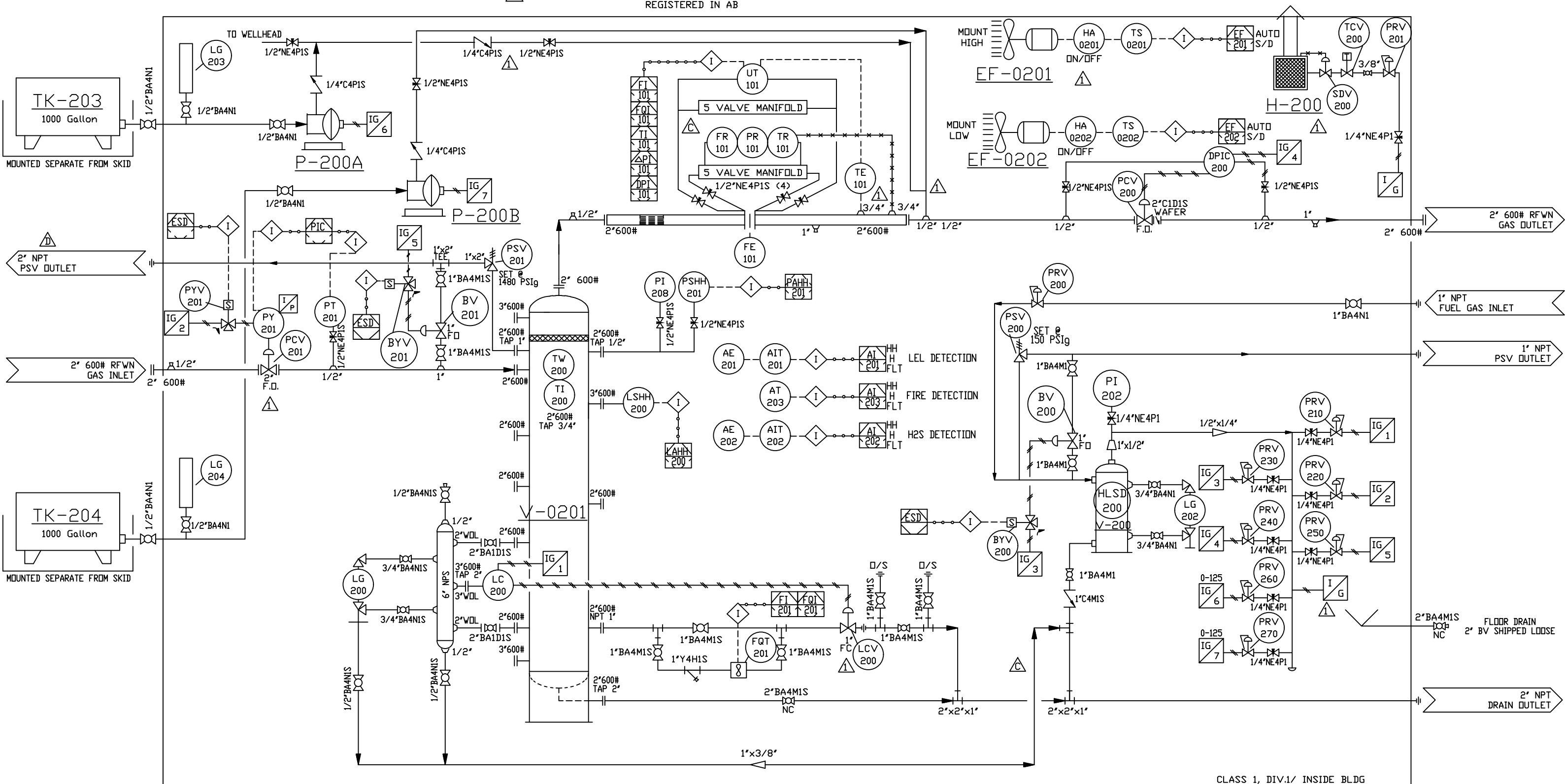
MODEL TEXTEAM MX-3 SERIES  
3/8" PLUNGER  
32 GALLONS/DAY  
5000 PSIG MAX. DISCHARGE PRESSURE  
c/w MODEL 5700 RATE AND LEVEL GLASS

SIZE: 16" OD x 7'-6" S/S  
DESIGN PRESSURE: 1480 PSIG @ 100°F  
CORROSION ALLOWANCE: 1/8"  
X-RAY: RT-1  
MDMT: -20°F  
MANUFACTURED IN 2003  
DESIGNED 3 PHASE, DRESSED 2 PHASE  
REGISTERED IN AB

12 ACPH  
EXPLOSION PROOF  
CLASS 1, DIV. 1  
ELECTRICAL BY OTHERS  
120 VOLT, SINGLE PHASE

SIZE: 6" x 36"  
MAWP: 285 PSIG  
C.A.: 1/8"  
c/w HLSD & LEVEL GAUGE

MAKE: CATADYNE  
HEATER 24,000 BTU/HR  
120 VOLT START  
c/w GRILL GAURD, THERMOSTAT, VENT HOOD,  
912 REGULATOR & SAFETY SHUTOFF  
NATURAL GAS SUPPLY



CLASS 1, DIV.1/ INSIDE BLDG  
CLASS 1, DIV.2/ OUTSIDE BLDG

SKID # 2347-001SKD

VESSEL # V-2326-001

FGS # 2352-001F

ENGINEERS & PERMIT STAMPS

NO.	REVISIONS	DWN	APPR	DATE
3	AS BUILT	PP		04-03-02
2	REV. AS PER CHANGE ORDER #4	PP		04-02-19
1	REV PER CUSTOMER MARK-UPS	CP		04-01-20
0	ISSUED FOR CONSTRUCTION	LG		04-01-07
C	REV PER CUSTOMER MARK-UPS	PP		04-01-06
B	REV PER CUSTOMER MARK-UPS	CP		04-01-05
A	ISSUED FOR APPROVAL	PP		03-12-08



DATE	CLIENT
03-12-08	CONOCOPHILLIPS CANADA
DESIGNED BY IPS	c/o EQUINOX ENGINEERING
DRAWN BY P. PIOT	16" OD x 7'-6" S/S 2 PHASE SOUR VERTICAL SEPARATOR PACKAGE
CHECKED BY	DESIGN PRESSURE: 1480 PSIG @ 100°F
APPROVED BY	PROJECT NO. 2363-001
SCALE N.T.S.	FILENAME 2363-001PID REFERENCE NO. DRAWING NO. CCL-2363-001PID SHEET NO. 1 OF 1 REV. NO. 3