

TK-0102/0103
METHANOL/CORROSION INHIBITOR TANKS

P-0102A/B
METHANOL/CORROSION INHIBITOR PUMPS

V-0101
3 PHASE VERT. SEPARATOR

EF-0101/0102
EXHAUST FANS

V-100
FUEL GAS SCRUBBER

H-100
BUILDING HEATER

MAKE: NORCO
1000 GALLON PLASTIC TANK
c/w VENT CAP, GROUND
c/w PLASTIC SECONDARY CONTAINMENT
MOUNTED OFF SKID

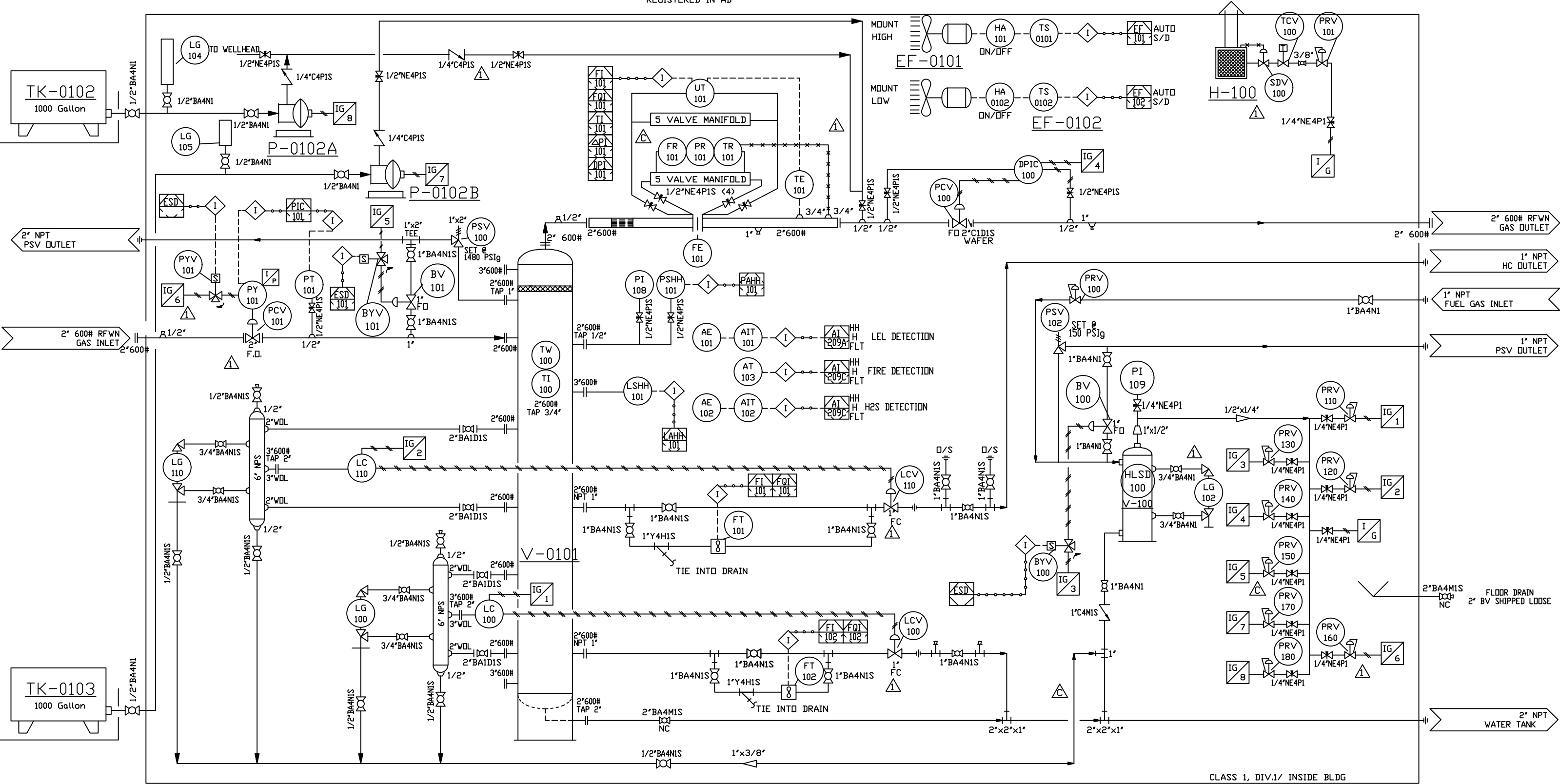
MODEL TEXSTEAM MX-3 SERIES
3/8" PLUNGER
32 GALLONS/DAY
5000 PSIG MAX. DISCHARGE PRESSURE
c/w MODEL 5700 RATE AND LEVEL GLASS

SIZE: 20' DD x 8'-0" S/S
DESIGN PRESSURE: 1480 PSIG @ 100°F
CORROSION ALLOWANCE: 1/8"
X-RAY: RT-1
MDMT: -20°F
MANUFACTURED IN 2003
DESIGNED & DRESSED 3 PHASE
REGISTERED IN AB

12 ACPH
EXPLOSION PROOF
CLASS 1, DIV. 1
ELECTRICAL BY OTHERS
120 VOLT, SINGLE PHASE

SIZE: 6' x 36'
MAWP: 285 PSIG
C.A.: 1/8"
c/w HLSD & LEVEL GAUGE

MAKE: CATADYNE
HEATER 24,000 BTU/HR
120 VOLT START
c/w GRILL GAIRD, THERMOSTAT, VENT HOOD,
912 REGULATOR & SAFETY SHUTOFF
NATURAL GAS SUPPLY



CLASS 1, DIV.1/ INSIDE BLDG
CLASS 1, DIV.2/ OUTSIDE BLDG

VESSEL # 2328-001
FGS # 2352-001A
FGS # 2348-001

ENGINEERS & PERMIT STAMPS

NO.	REVISIONS	DWN	APPR	DATE
3	AS BUILT		PP	04-03-03
2	REVISED PER CHANGE ORDER #4		PP	04-02-19
1	REVISED PER CUSTOMER MARK-UPS		CP	04-01-20
0	ISSUED FOR CONSTRUCTION		LG	04-01-07
C	REVISED PER CUSTOMER MARK-UPS		PP	04-01-06
B	REVISED PER CUSTOMER MARK-UPS		CP	04-01-05
A	ISSUED FOR APPROVAL		PP	03-12-09



DATE	03-12-09	CONOCOPHILLIPS CANADA	
DESIGNED BY	IPS	c/o EQUINOX ENGINEERING	
DRAWN BY	P. PIOT	LSD:7-19-72-11 W6M	
CHECKED BY		TITLE	
APPROVED BY		20' DD x 8'-0" S/S 3 PHASE SOUR	
SCALE	N.T.S.	VERTICAL SEPARATOR PACKAGE	
SHEET NO.	1 OF 1	PROJECT NO.	2364-001
DRAWING NO.	CCL-2364-001PID	FILENAME	2364-001PID
REV. NO.		REFERENCE NO.	